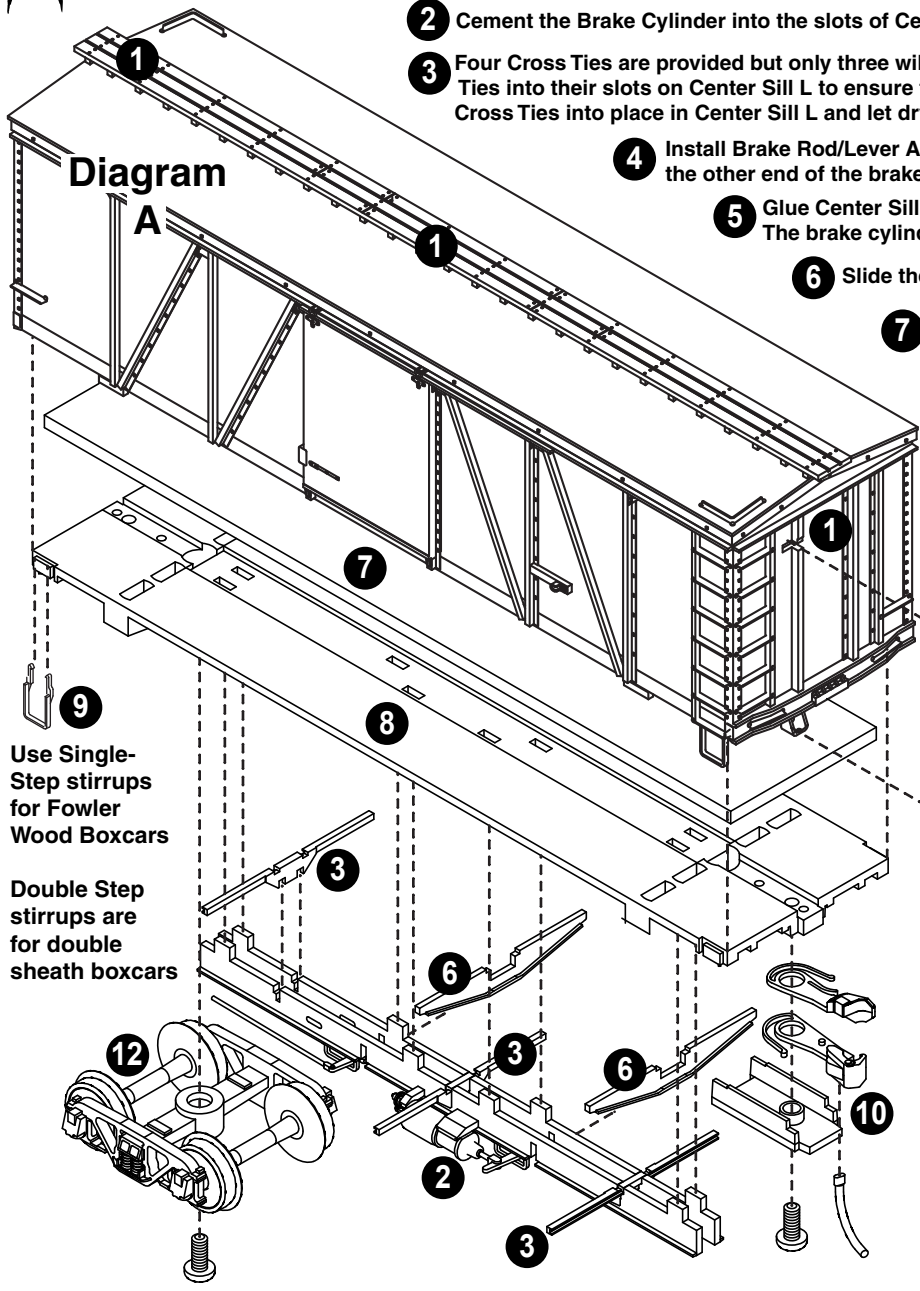


- 1 Cement the running board and brake platform in place from inside the boxcar body.
- 2 Cement the Brake Cylinder into the slots of Center Sill (L)eft (The sill with the center tabs closer together).
- 3 Four Cross Ties are provided but only three will be used. Ensure that all excess plastic has been removed from the ends of the Cross Ties. Dry fit Cross Ties into their slots on Center Sill L to ensure that they can slide fully into place, until their tops are flush with the top of the Center Sill. Cement the Cross Ties into place in Center Sill L and let dry. When dry, glue Center Sill L into the underframe, making sure that the Cross Ties are square to the floor.
- 4 Install Brake Rod/Lever Assembly into Center Sill (R)ight, clipping the locking tab into its mounting hole and threading the other end of the brake rod through the molded-on guide.
- 5 Glue Center Sill R into the floor, carefully threading the rod and lever through the guides in Center Sill L. The brake cylinder lever has a small, semi-circular cut-out to accommodate the clevis.



Use Single-Step stirrups for Fowler Wood Boxcars

Double Step stirrups are for double sheath boxcars

- 6 Slide the two Cross Bearers in from the side and cement in place.
- 7 Attach the steel weight centered on the top of the floor using double faced tape, silicone sealant, or water based contact cement. *Do not use solvent based cement or it may cause the floor to warp.* Let floor assembly dry.
- 8 When dry, snap the floor into the body with the brake cylinder pointing toward the boxcar end with the brake platform.
- 9 Slide the Sill Steps into the slots at the corners of the floor, using cement if desired. Water based cement such as white glue will lock them in place but still allow the body to be removed for maintenance.
- 10 Assemble and install couplers with the included screws. Holes sized for 0-80 screws are provided to directly mount Accumate® Proto:HO scale size couplers and draft gear (not included) if you prefer.
- 11 Cut back the long end of the brake rod similar to the brake cylinder end. The end should be just past the location of the axle.
- 12 Install wheels into the trucks, then install the trucks into the floor. Do not overtighten the screws.
- 13 Cut the brake staff wire to 1-5/8" long (scale 11Ft. 8 In.) Slide it through the hole in the brake platform and cement the bottom to the bracket using CA. Install the brake wheel with a small drop of CA.

